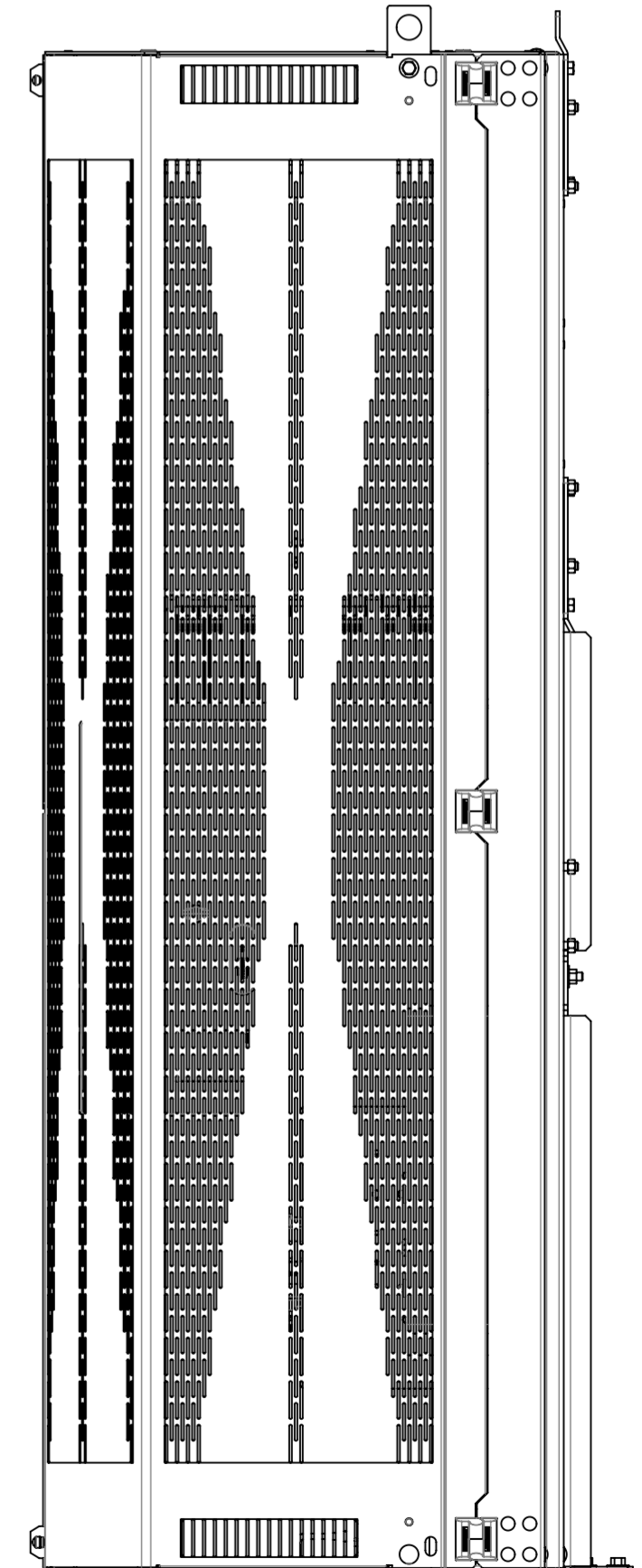
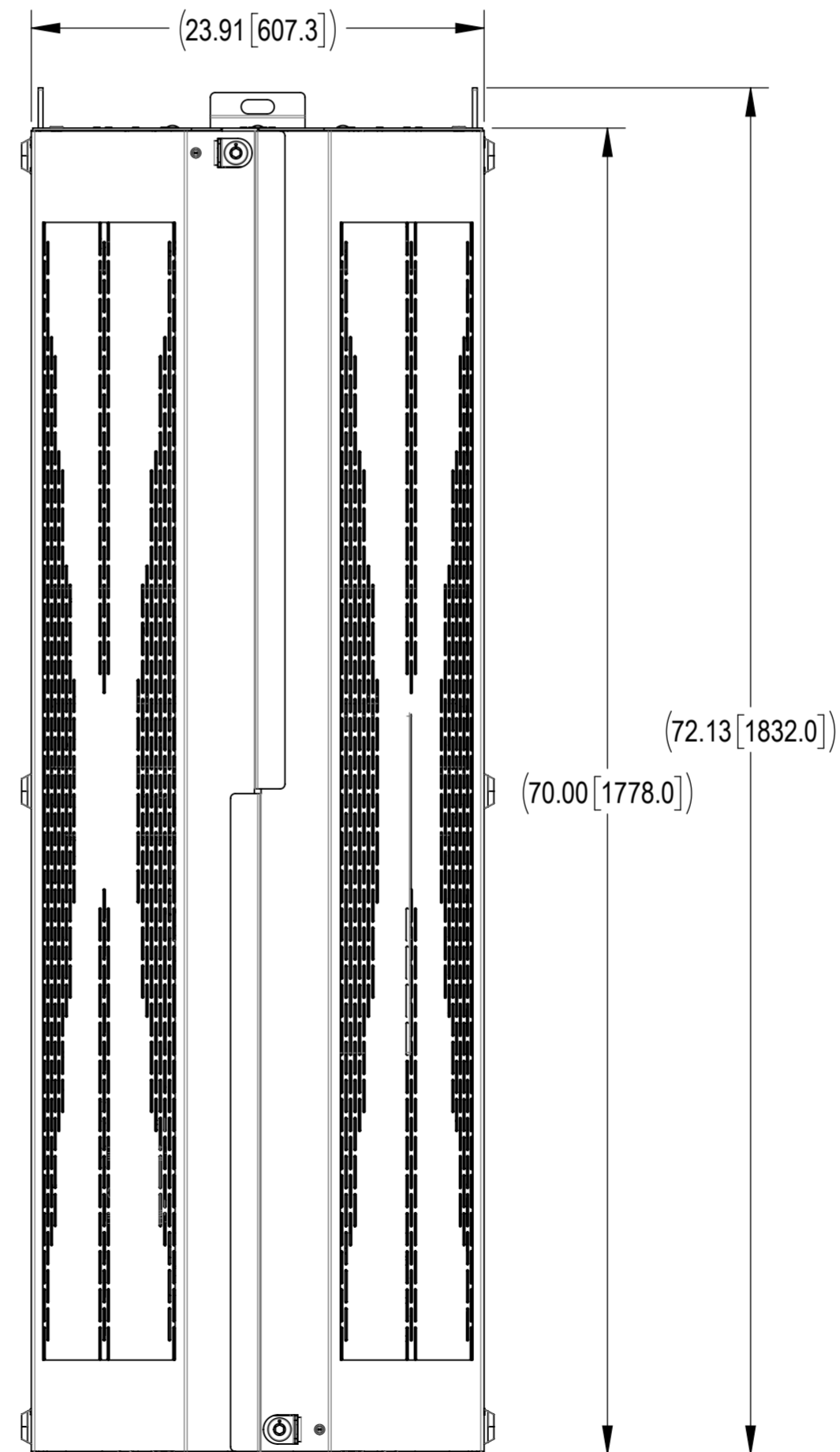
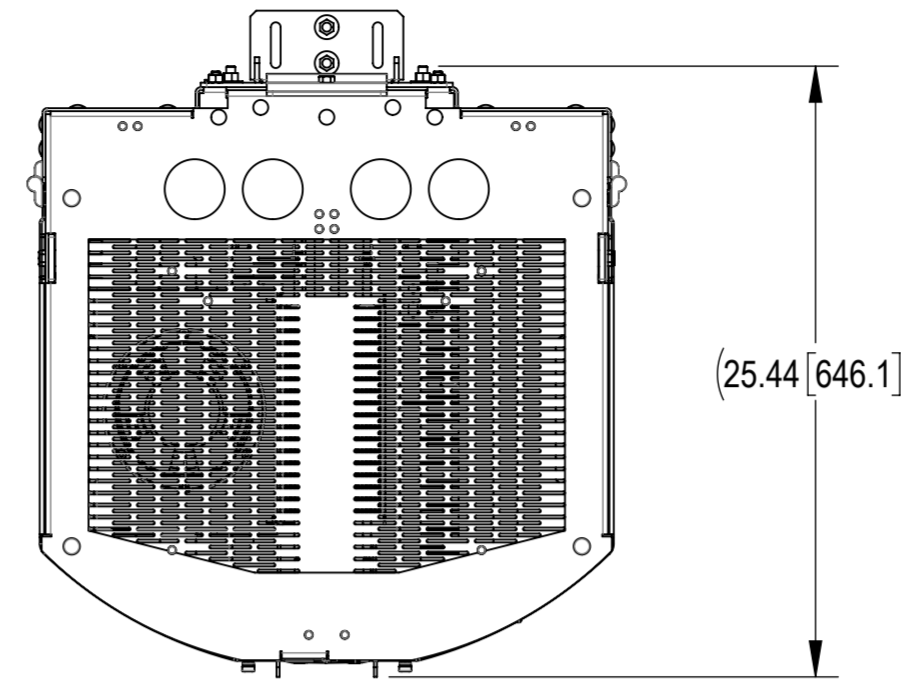
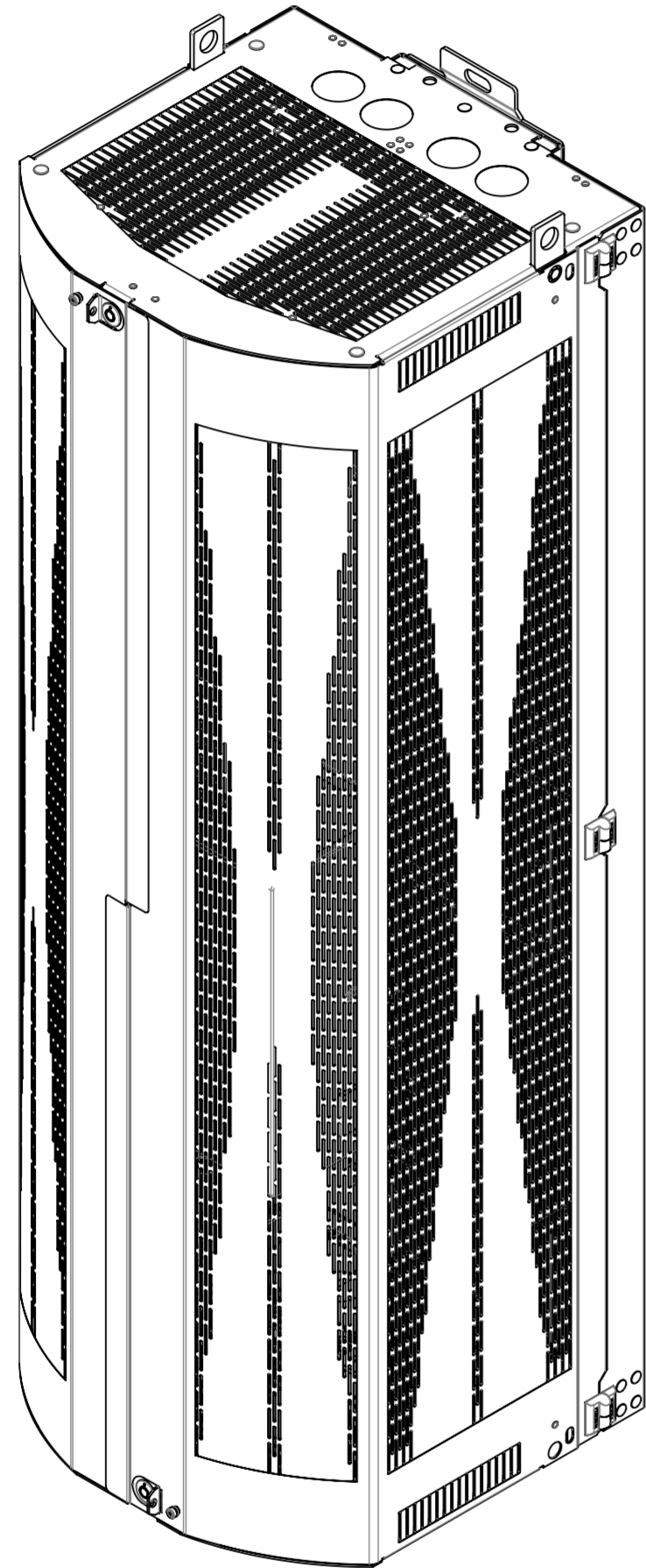


# Installation Instructions



## 860252485-E003-INSTALL INSTALLATION INSTRUCTION METRO BRKS ERC CONFIG 3 HCRE



REVISIONS			
REV.	DESCRIPTION	DATE	APPROVED
A	INITIAL RELEASE	MS1288 26MAR25	LX1002 50101974AMO

This table show the evolution and history of document from initial to current version.

Further information regarding ANDREW's commitment can be found at <https://www.andrew.com/sustainability/>.  
Visit our website or contact your local ANDREW representative for more information.  
This product is covered by one or more U.S. patents or their foreign equivalents. For patents, see [www.adwpat.com](http://www.adwpat.com).

# Installation Instructions



- 1.0 GENERAL NOTES
  - 1.1 ALL METRIC DIMENSIONS ARE IN BRACKETS [X.X]
- 2.0 DESIGN NOTES
- 3.0 MANUFACTURING/SPECIAL REQUIREMENTS
  - 3.1 TIGHTEN HARDWARE, TORQUE VALUE ARE SHOWN BELOW AS REFERENCE,
    - M6: TORQUE 40.0 IN-LB OR 4.5 N-M (W/ CLIP NUT)
    - M6: TORQUE 46.0 IN-LB OR 5.2 N-M (W/ THREADED CAST AL)
    - M6: TORQUE 75.0 IN-LB OR 8.5 N-M (W/ STEEL NUT)
    - M8: TORQUE 6.6 FT-LB OR 9.0 N-M (W/ THREADED CAST AL)
    - 1/4-20: TORQUE 4.8 FT-LB OR 6.6 N-M
    - 3/8-16: TORQUE 19.6 FT-LB OR 26.6 N-M
  - 3.2 CONFIGURATIONS AND QUANTITY OF EQUIPMENTS IN INSTALLATION ARE LISTED ON TABLE.
  - 3.3 EQUIPMENT INSTALLATION INSTRUCTION ON PAGE 3.

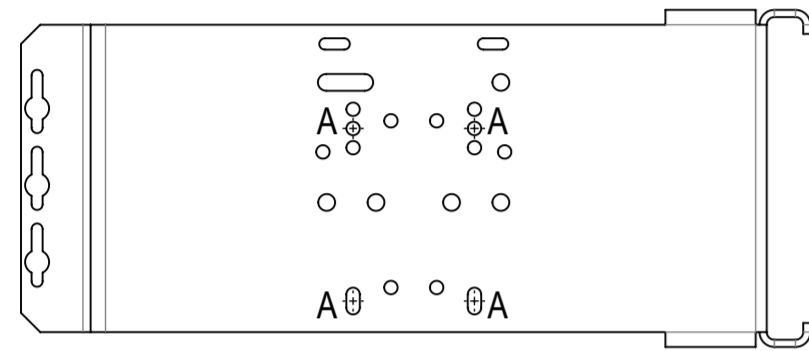
ERICSSON CONFIGURATION	3.2 APPROVED ERICSSON RADIO CONFIGURATIONS							
	8843	4449	4435	PSU 6308	QUAD DIPLEXER SDX1926Q-43	PTS 90X21	RAYCAP "RSD-F SERIES"	RAYCAP "RSCAC SERIES"
13	1	1	1	1	1	1		
14	1	1	1	1	1		1	
15	1	1	1	1	1			1

# Installation Instructions

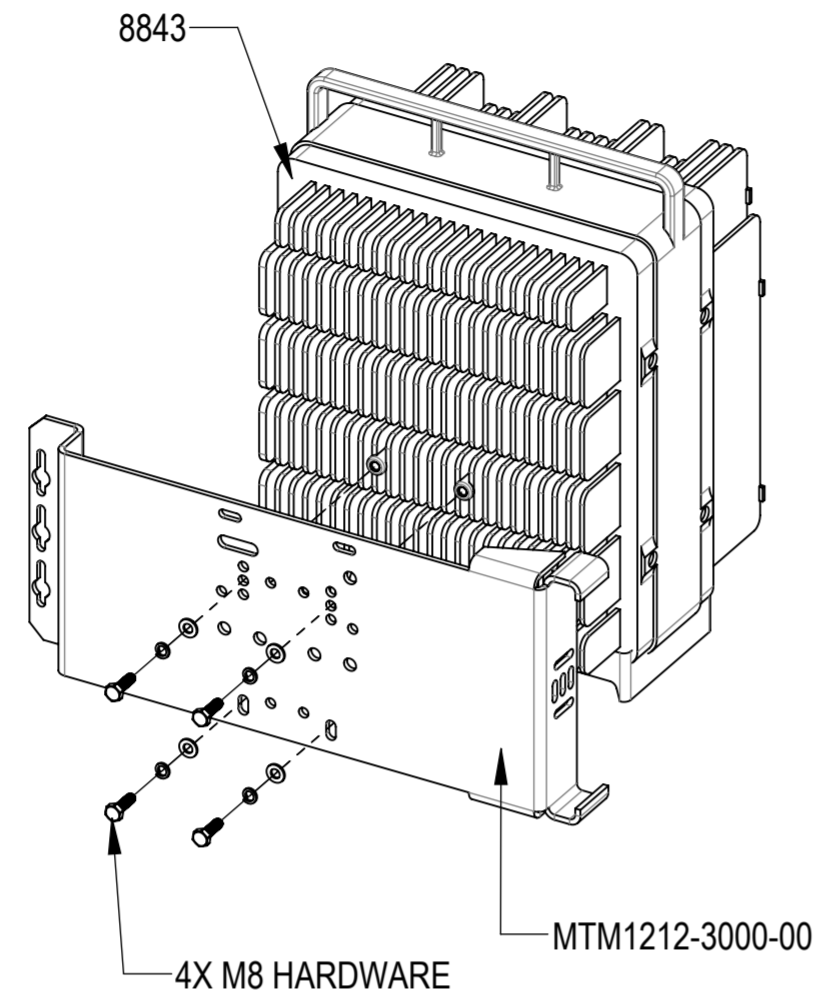


## EQUIPMENT MOUNTING INSTALLATION

### RADIO INSTALLATION HCRE MOUNTING BRACKET MTM1212-3000-00

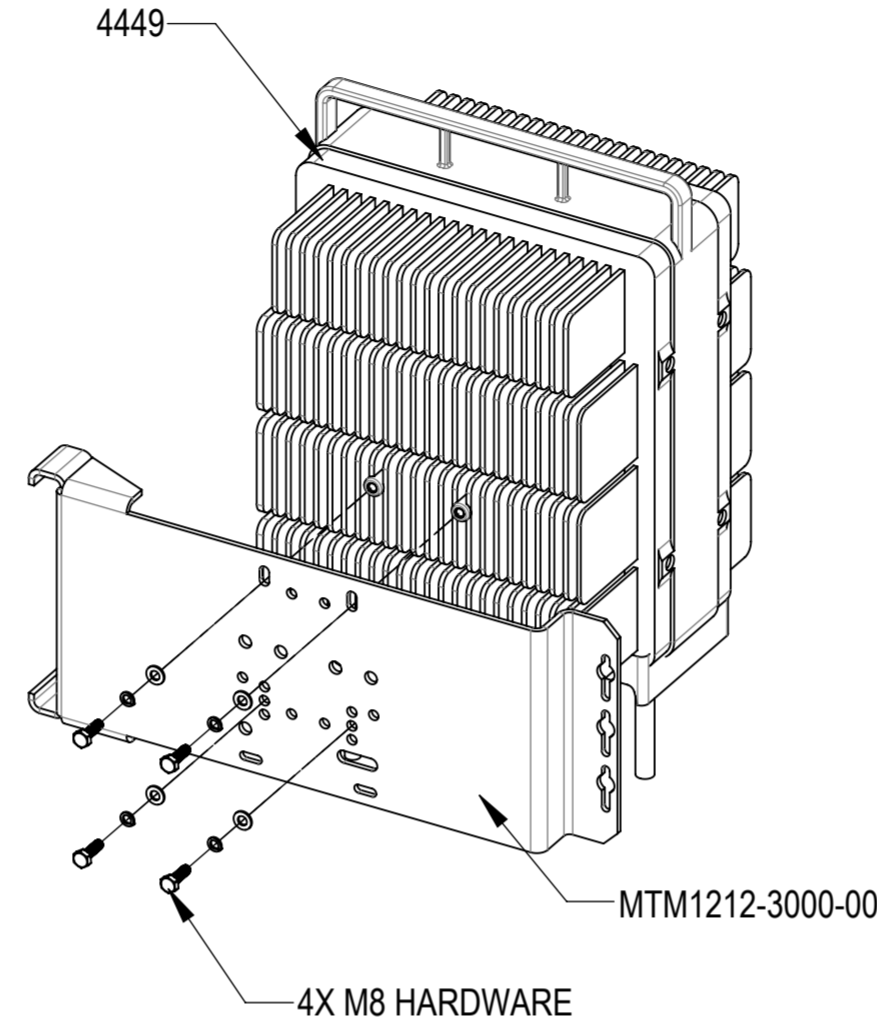


"A": 8843, 4449



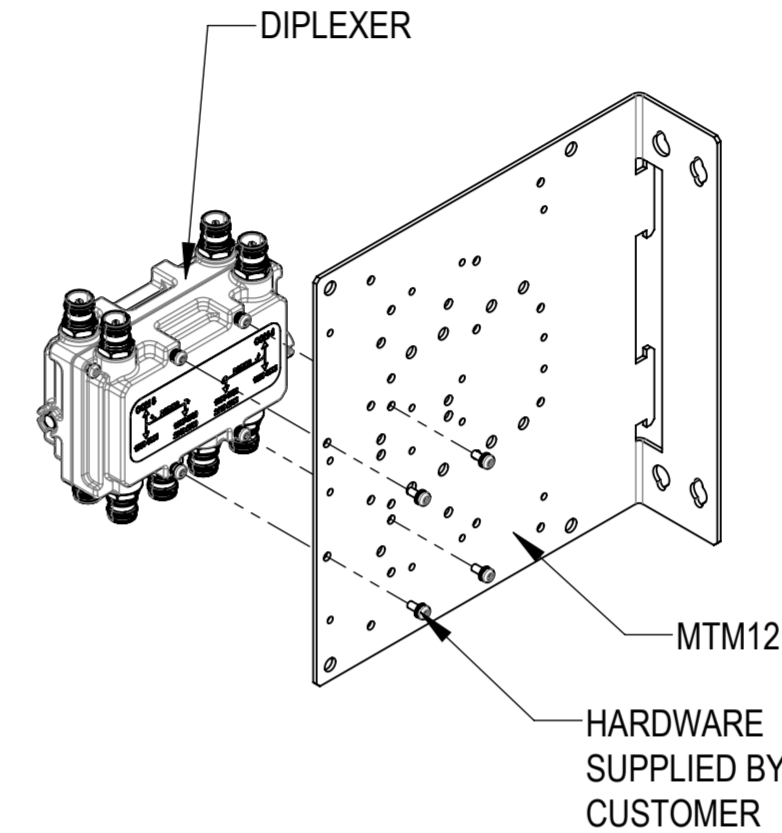
#### 8843:

INSTALL 8843 TO THE BRACKET MTM1212-3000-00 USING 4 SETS OF M8 HEX BOLT, LOCK WASHER AND FLAT WASHER AS SHOWN



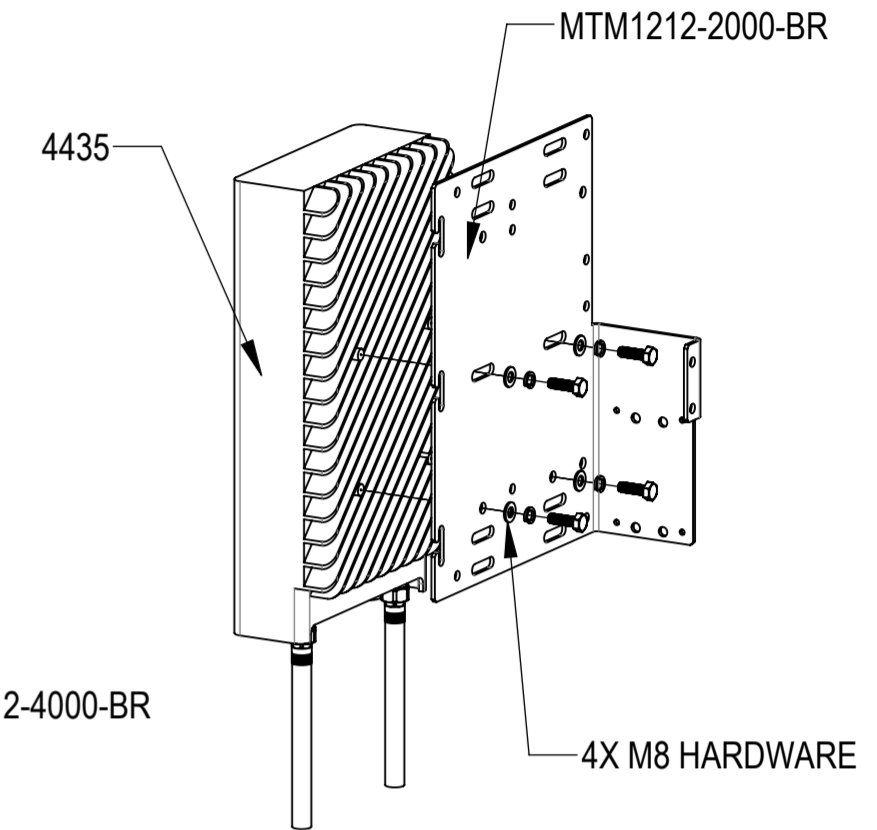
#### 4449:

INSTALL 4449 TO THE BRACKET MTM1212-3000-00 USING 4 SETS OF M8 HEX BOLT, LOCK WASHER AND FLAT WASHER AS SHOWN



#### DIPLEXER:

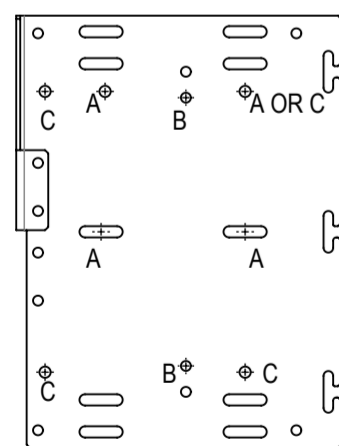
INSTALL DIPLEXER TO THE BRACKET MTM1212-4000-BR USING 4 SETS OF M5 HEX BOLT, LOCK WASHER AND FLAT WASHER AS SHOWN



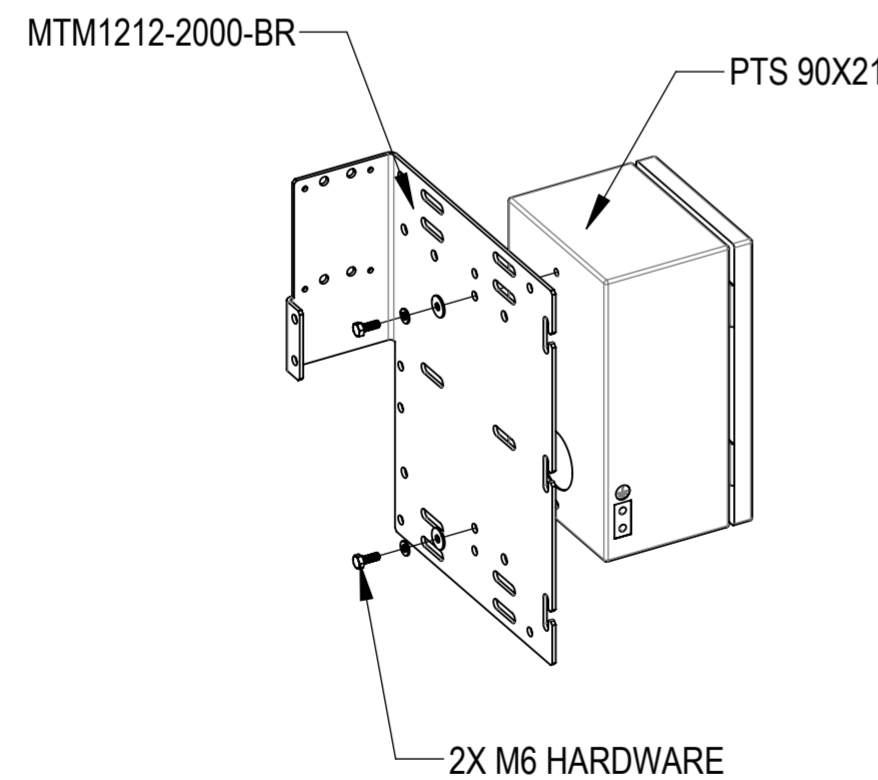
#### 4435:

INSTALL 4435 TO THE BRACKET MTM1212-2000-BR USING 4 SETS OF M8 HEX BOLT, LOCK WASHER AND FLAT WASHER AS SHOWN

### RADIO INSTALLATION HCRE MOUNTING BRACKET MTM1212-2000-BR

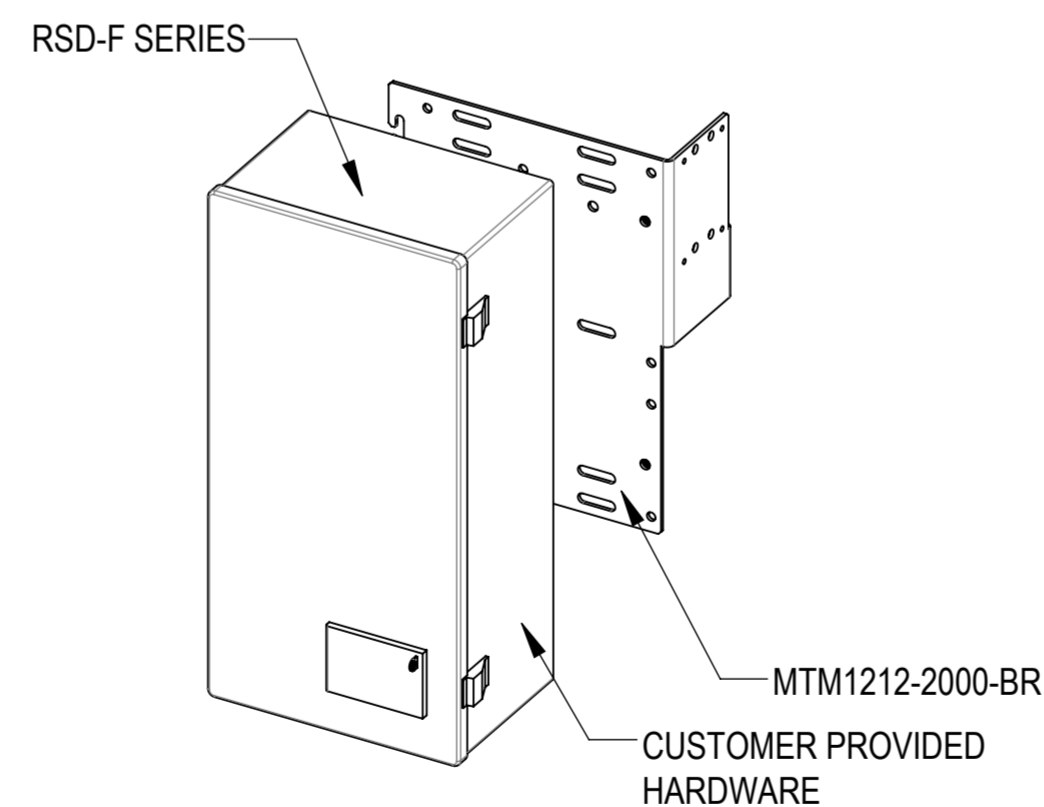


"A": 4435  
"B": PTS 90X21  
"C": RSCAC SERIES



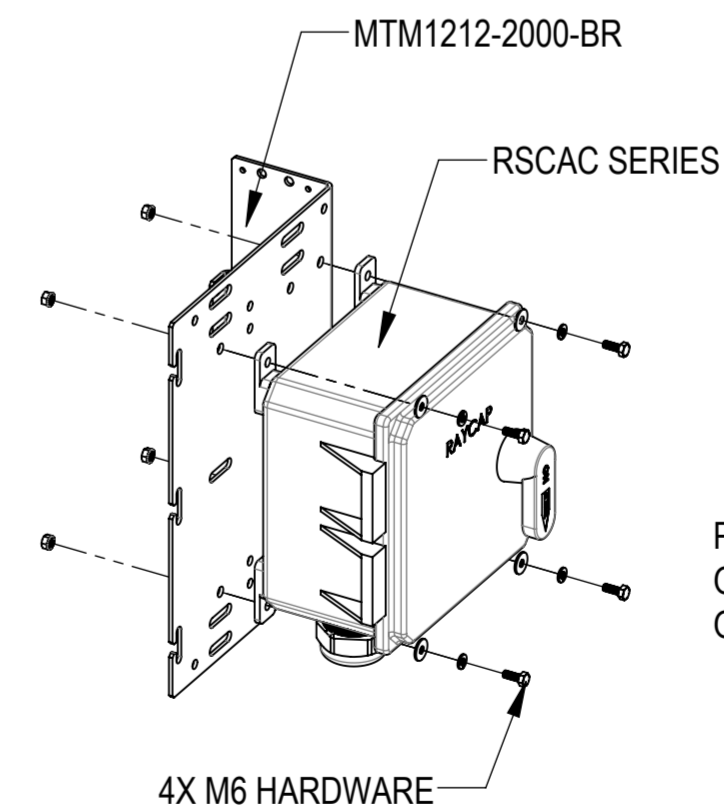
#### PTS 90X21:

INSTALL PTS 90X21 TO THE BRACKET MTM1212-2000-BR USING 2 SETS OF M6 HEX BOLT, LOCK WASHER AND FLAT WASHER AS SHOWN



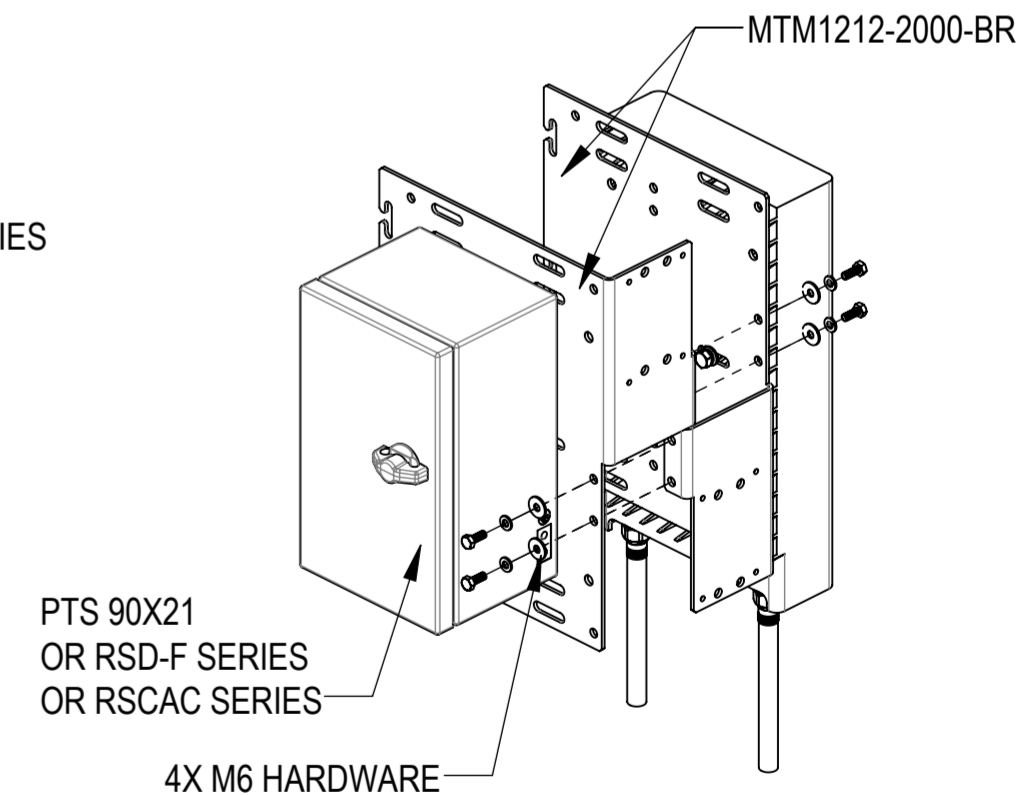
#### RSD-F SERIES:

INSTALL RSD-F SERIES TO THE BRACKET MTM1212-2000-BR USING 4 SETS OF M6 HEX BOLT, LOCK WASHER AND FLAT WASHER AS SHOWN



#### RSCAC SERIES:

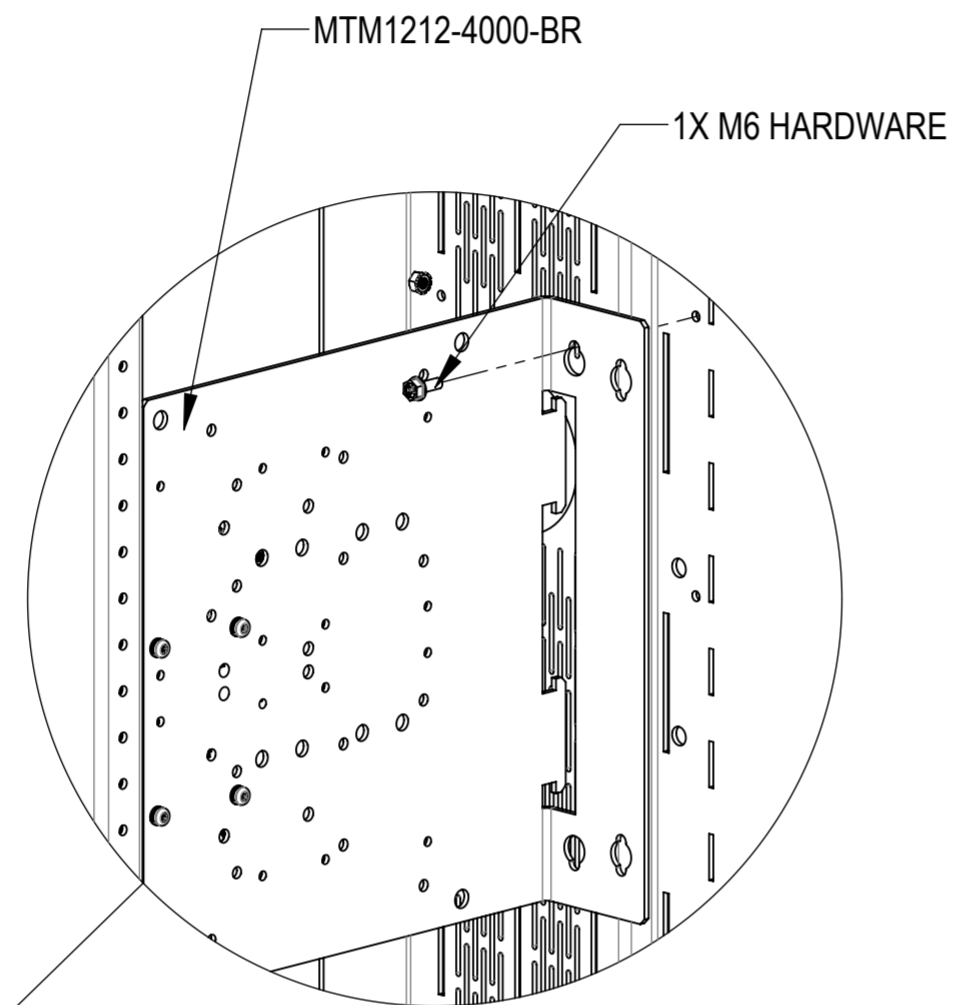
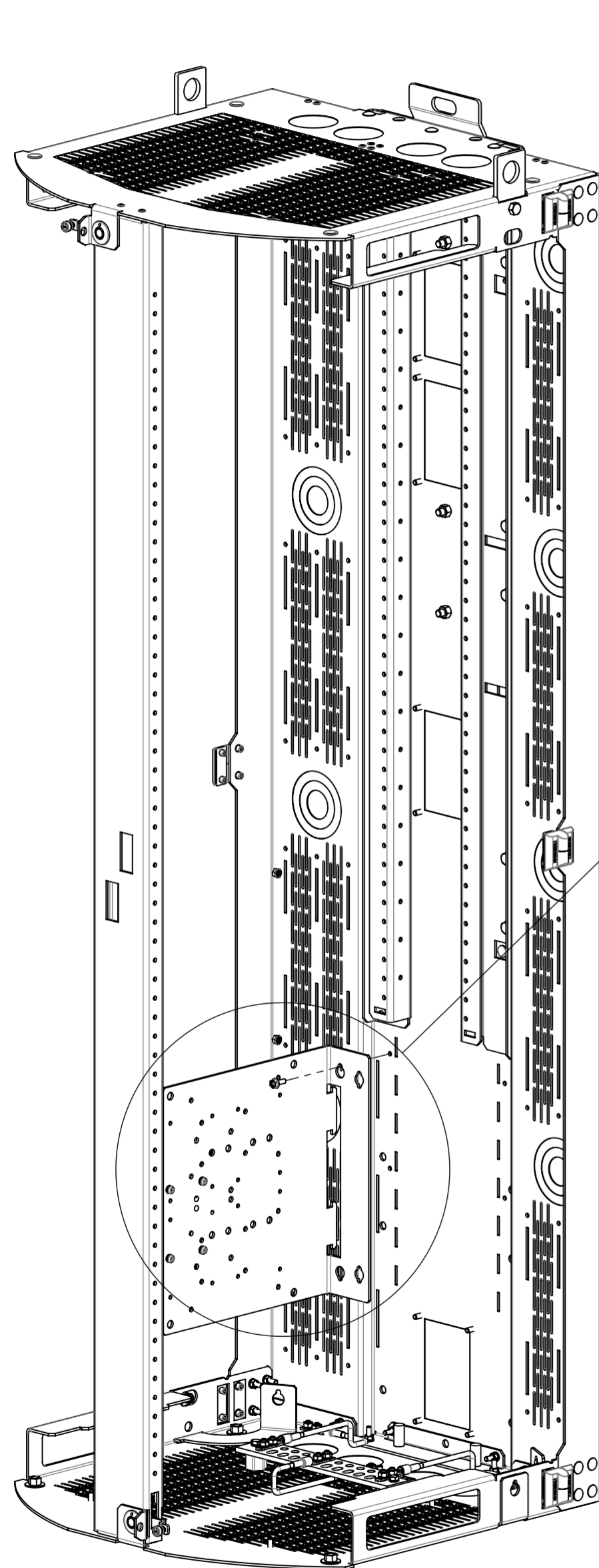
INSTALL RSCAC SERIES TO THE BRACKET MTM1212-2000-BR USING 4 SETS OF M6 HEX BOLT, LOCK WASHER AND FLAT WASHER AS SHOWN



#### BRACKETS MTM1212-2000-BR:

INSTALL PTS 90X21 OR RSD-F SERIES OR RSCAC SERIES SUB-ASSEMBLY TO 4435 SUB-ASSEMBLY USING 4 SETS OF M6 HEX BOLT, LOCK WASHER AND FLAT WASHER AS SHOWN

## DIPLEXER AND PSU 6308 INSTALLATION



DETAIL A  
DIPLEXER INSTALLATION

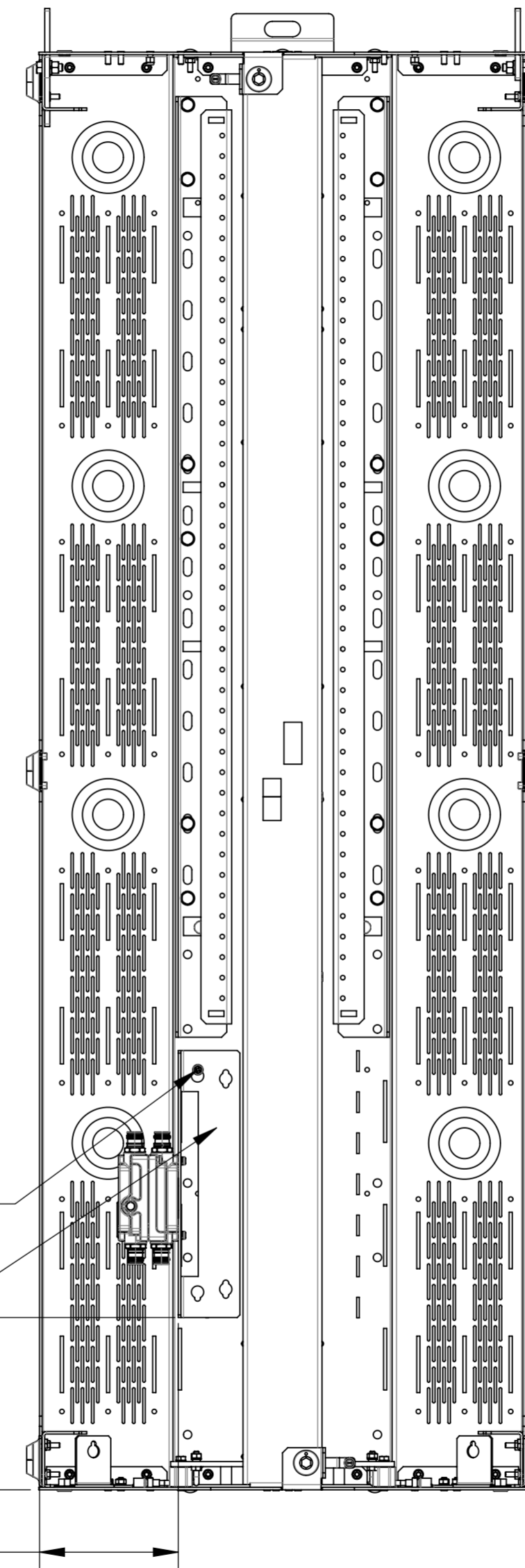
HOLD DIPLEXER SUB-ASSEMBLY,  
TOP OF TABS ALONG WITH TOP OF SLOT,  
INSERT TABS AND PUSH TO THE END, THEN PUT IT DOWN.  
SECURE BY M6 SCREW (SELF TAPPING THREAD),  
TIGHTEN THEM DOWN AS SHOWN

1X M6 HARDWARE  
SELF TAPPING THREAD

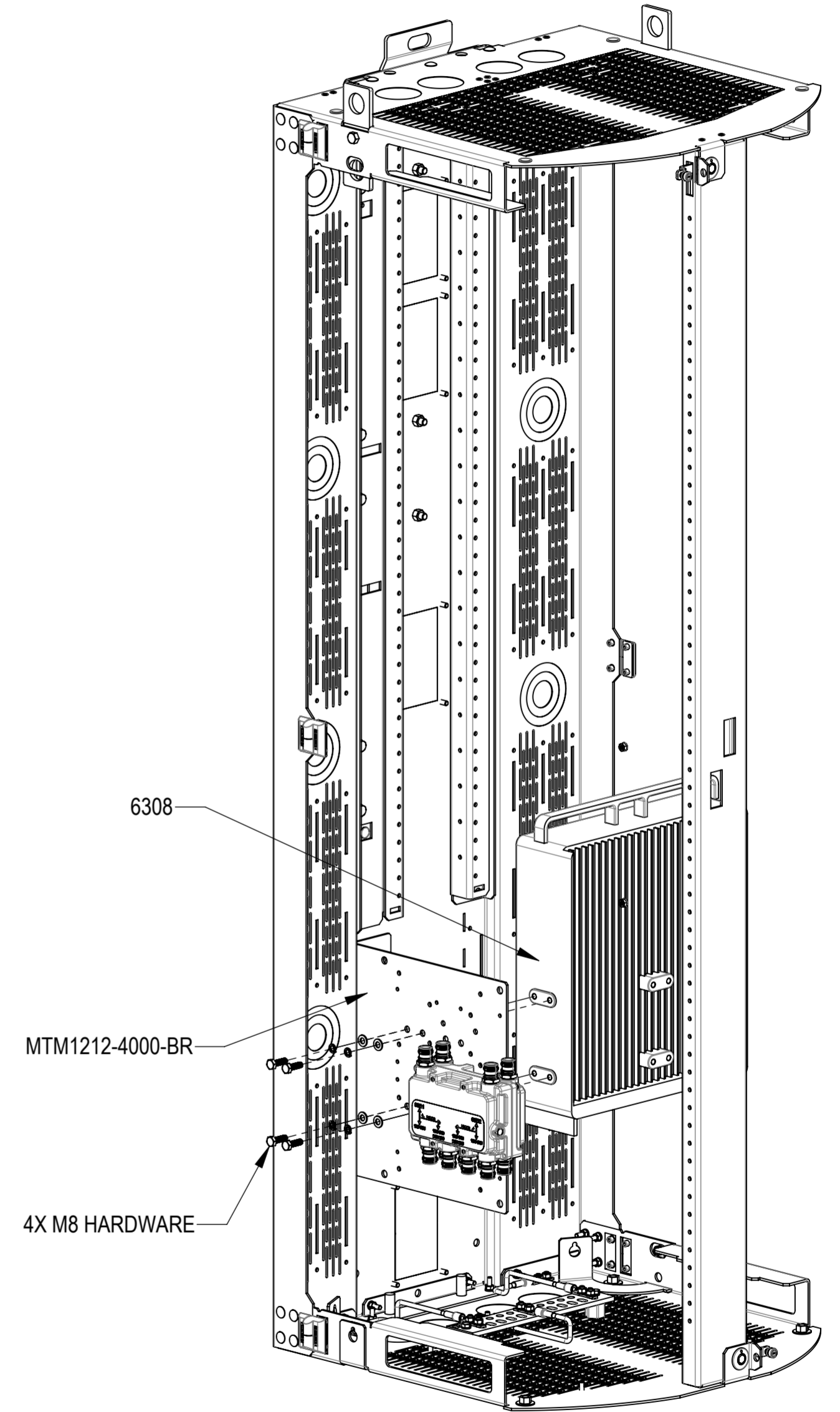
MTM1212-4000-BR

8.39 [213.1]

6.76 [171.7]



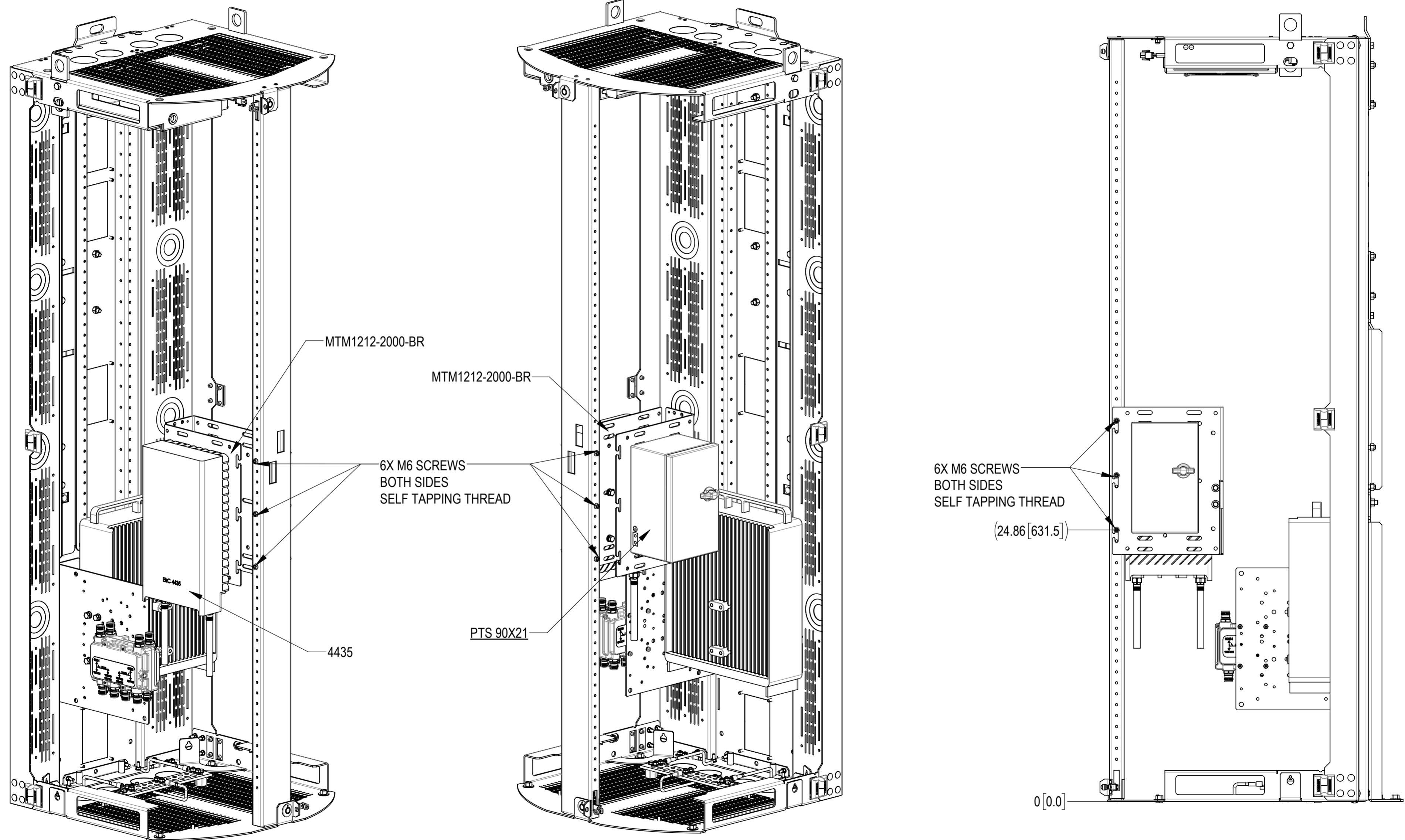
FRONT VIEW  
BRACKET MTM1212-4000-BR LOCATION SHOWN  
(DOORS NOT SHOWN)



6308 INSTALLATION

INSTALL 6308 ON BRACKET MTM1212-4000-BR AND USING 4  
SETS OF M8 HEX BOLT, LOCK WASHER AND FLAT WASHER AS SHOWN

## 4435 AND PTS 90X21 INSTALLATION

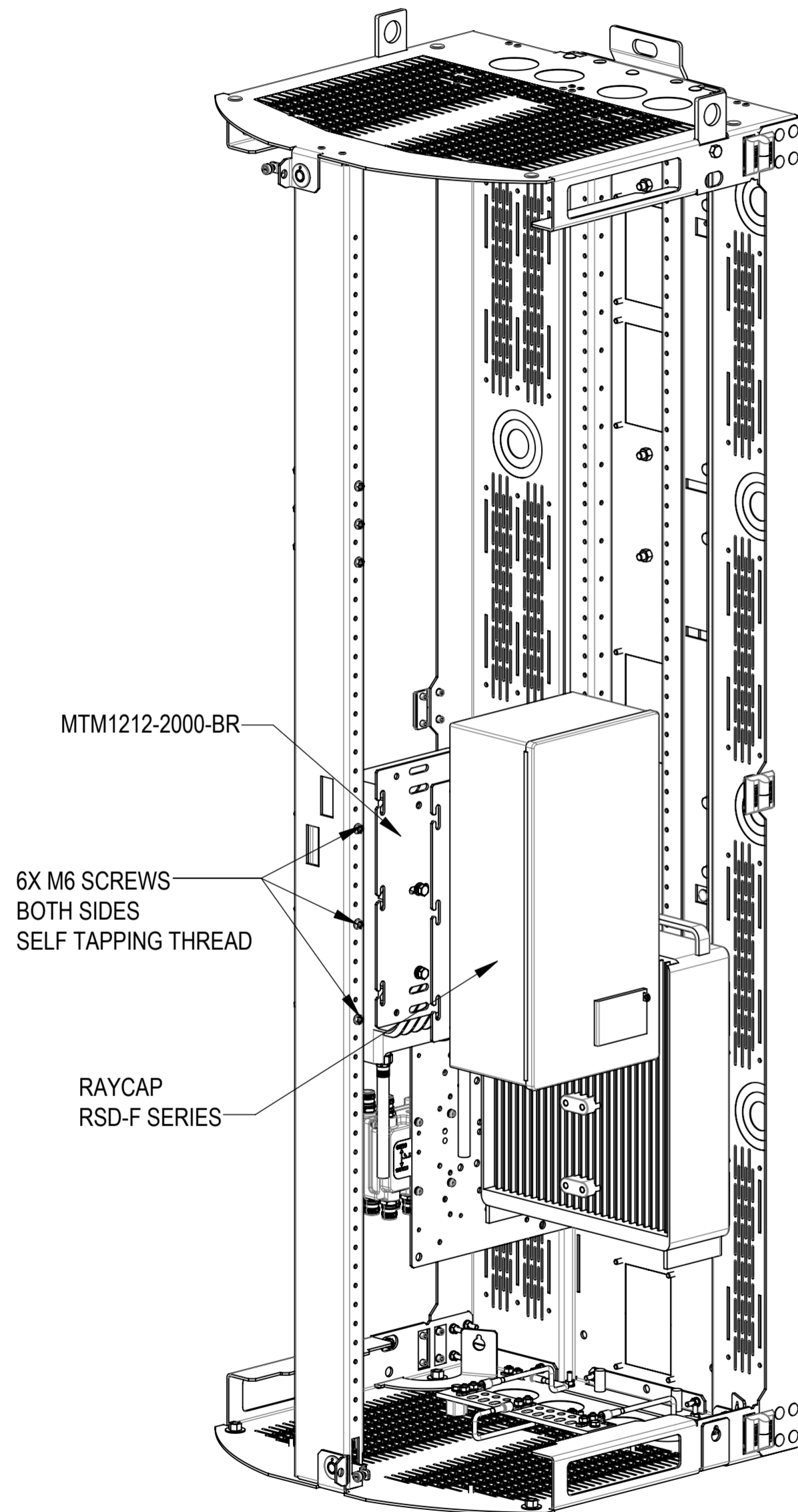


### 4435 AND PTS 90X21 INSTALLATION

HANG 4435 SUB-ASSEMBLY WITH PTS 90X21 SUB-ASSEMBLY ON THE M6 SCREWS (SELF TAPPING THREAD), TIGHTEN THEM DOWN AS SHOWN

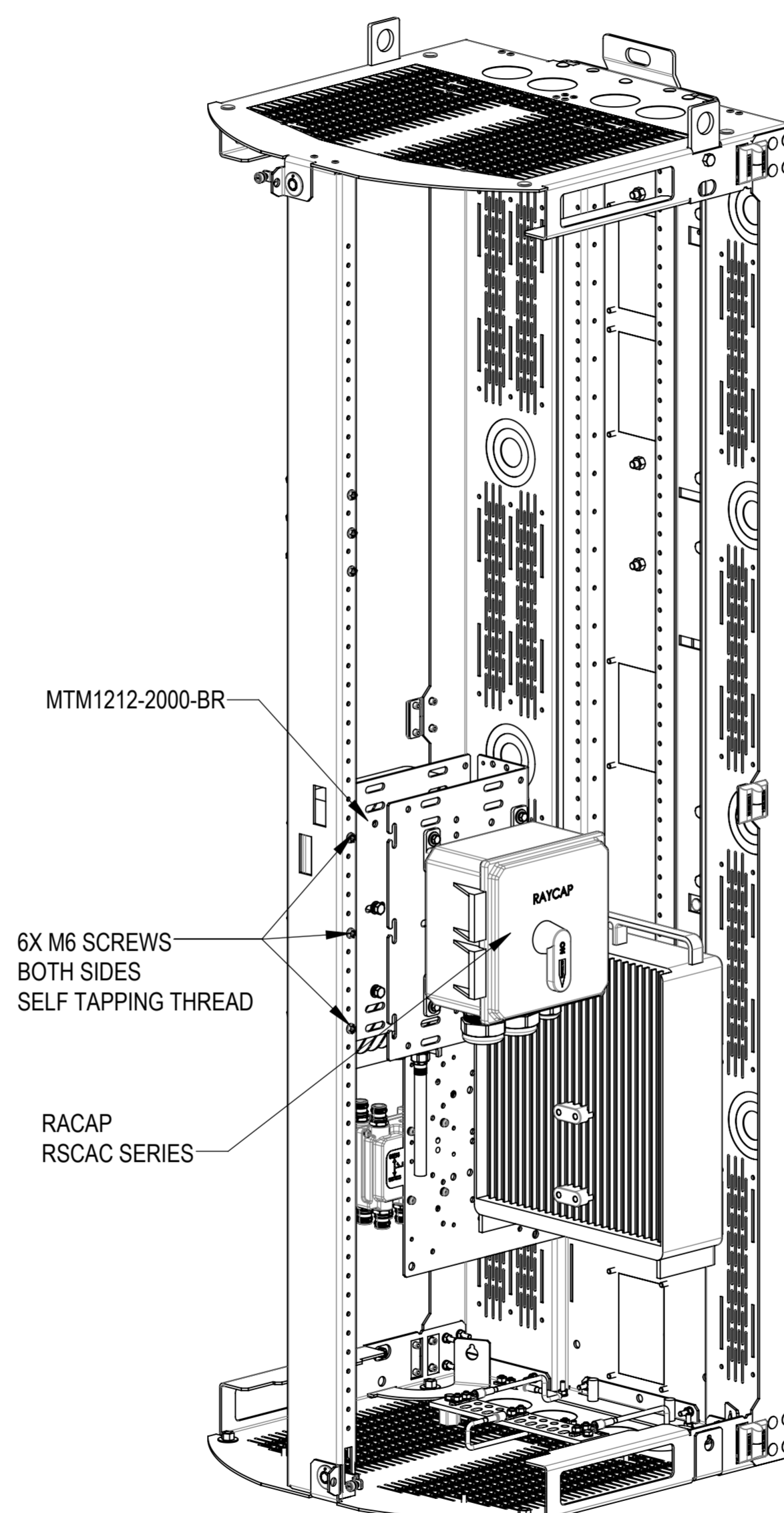
RIGHT VIEW  
M6 SCREWS LOCATION SHOWN  
(DOORS NOT SHOWN)

## RSD-F SERIES, RSCAC SERIES AND 860252485-AMK-001 INSTALLATION



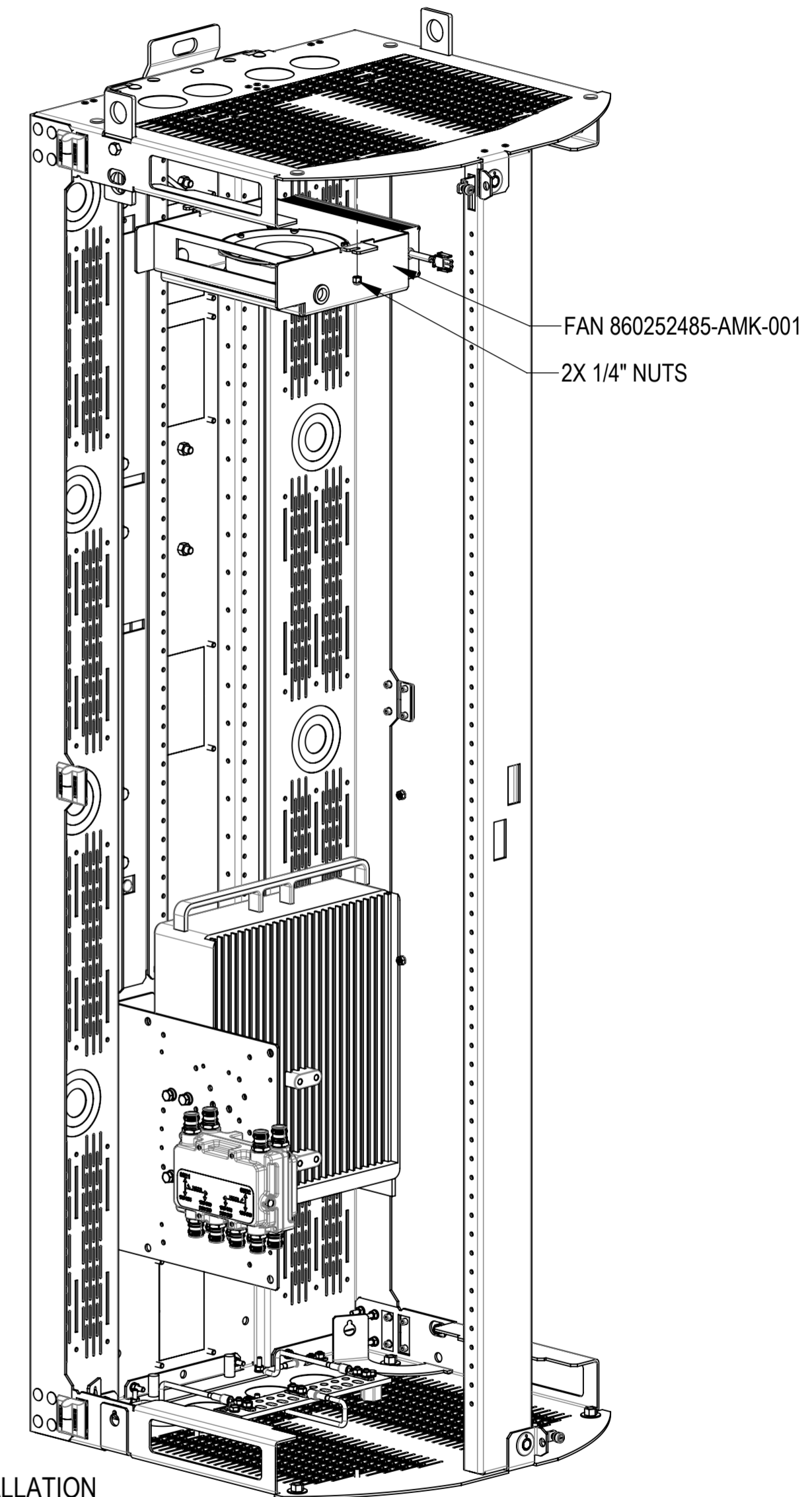
### RSD-F SERIES INSTALLATION

HANG RSD-F SERIES SUB-ASSEMBLY ON THE M6 SCREWS (SELF TAPPING THREAD), TIGHTEN THEM DOWN AS SHOWN



### RSCAC SERIES INSTALLATION

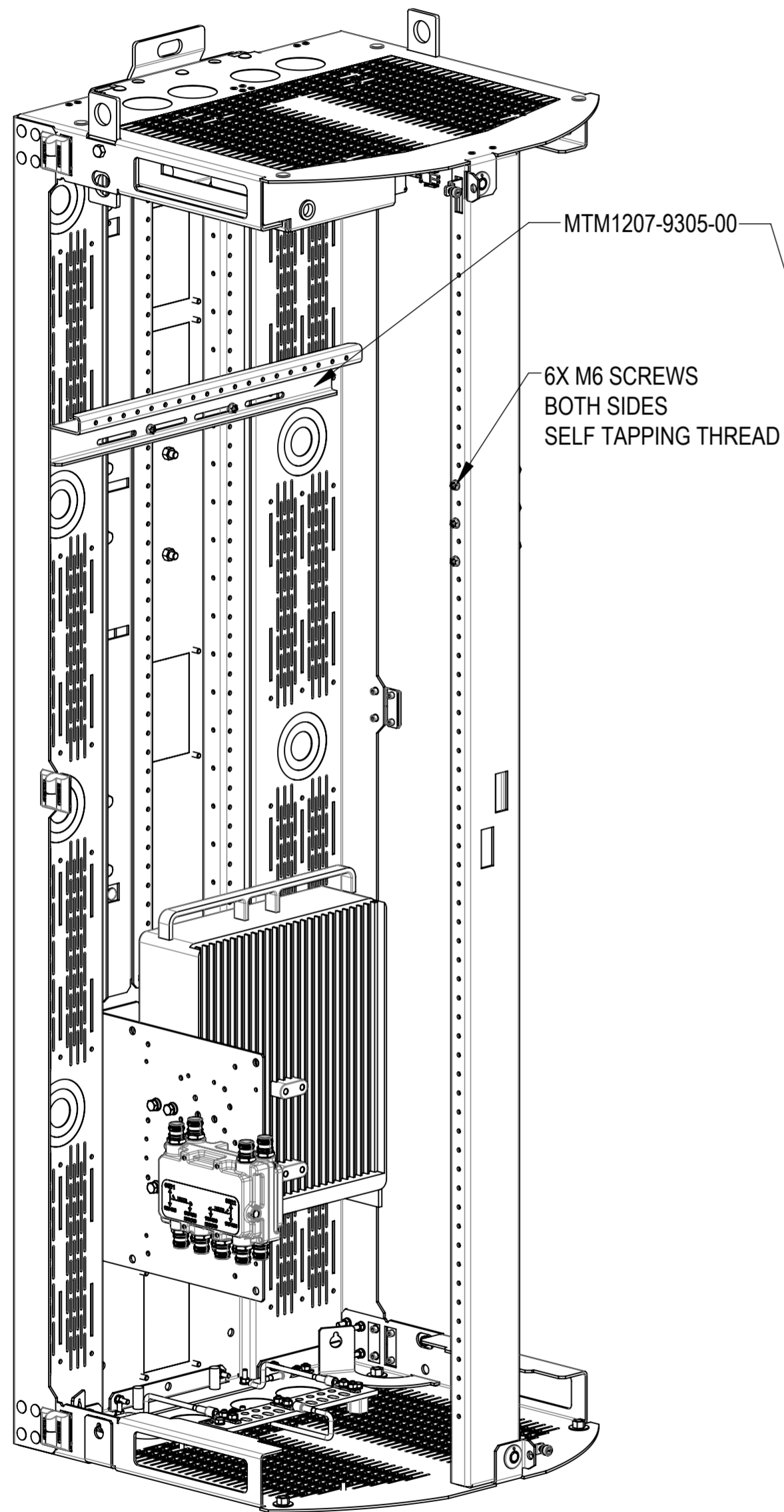
HANG RSCAC SERIES SUB-ASSEMBLY ON THE M6 SCREWS (SELF TAPPING THREAD), TIGHTEN THEM DOWN AS SHOWN



### 860252485-AMK-001 INSTALLATION

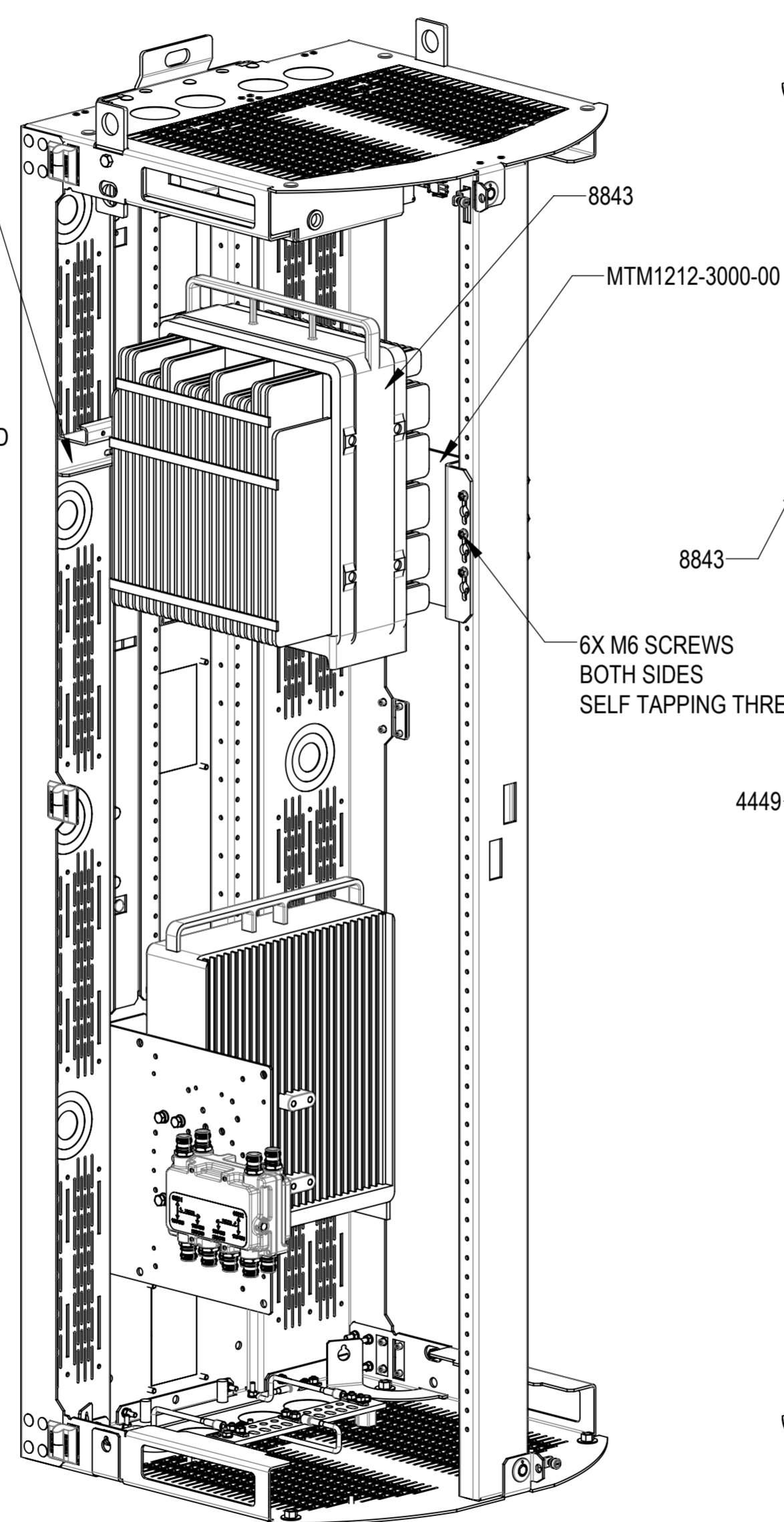
INSTALL FAN 860252485-AMK-001 TO MAIN FRAME USING 2EA 1/4" NUTS AS SHOWN. YELLOW COLOR IS NEUTRAL WIRE(N),BLACK IS LIVE WIRE (L),GREEN IS EARTH WIRE(E), THE REMAINING WIRE IS THE SENSING WIRE.THE DETECTOR HEAD OF SENSOR IS TO BE FIXED ABOUT 0.75" UNDER A HIGH POWER OR HOTTEST RRU.AC CABLE IS FIXED ALONG THE INNER WALL OF THE ENCLOSURE AND "N/L/E" ARE CONNECTED TO A FREE BREAKER IN THE POWER BOX/LOAD CENTER,MINIMUM BREAKER SIZE IS 1.2 AMPS.

## 8843 AND 4449 INSTALLATION



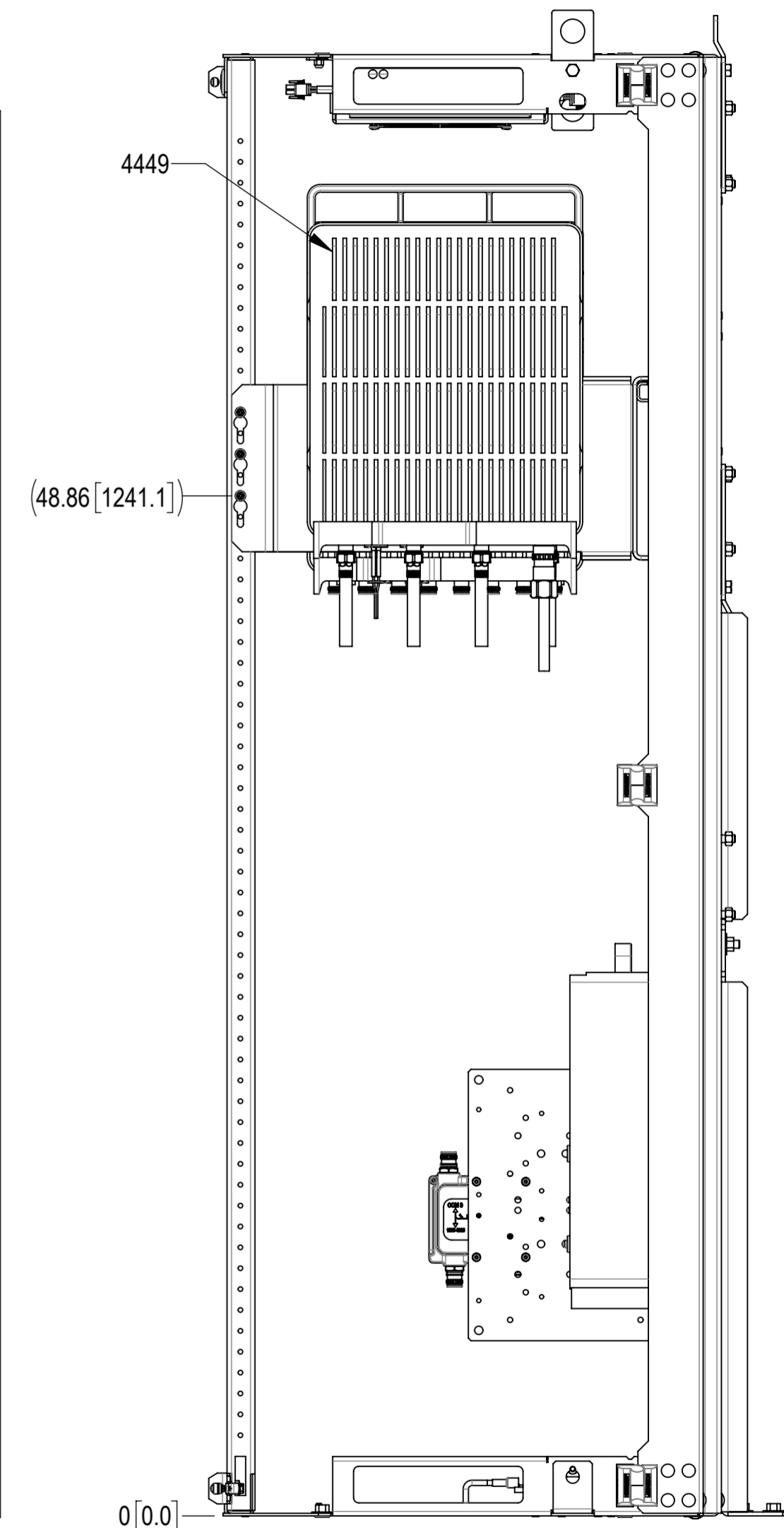
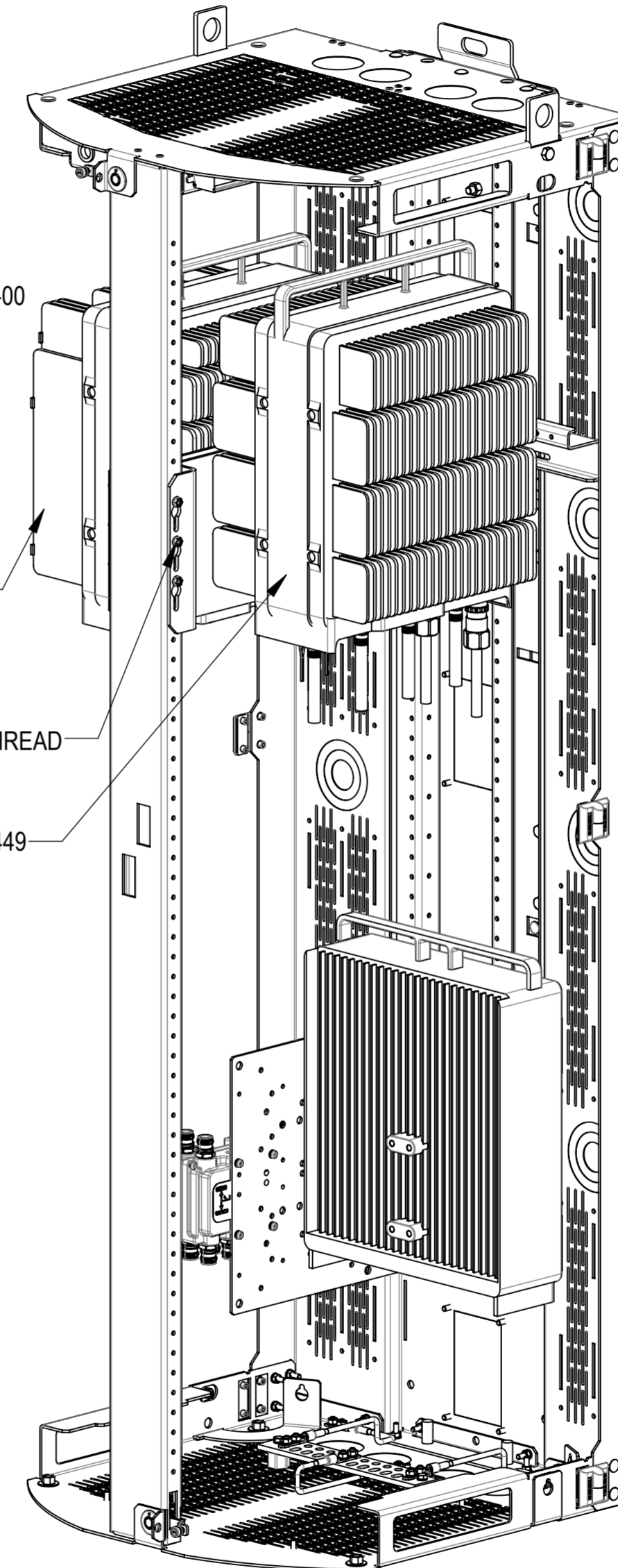
**8843 INSTALLATION**

HANG ONE SIDE OF 8843 SUB-ASSEMBLY ON THE BRACKET MTM1207-9305-00 AND HANG THE OTHER SIDE OF 8843 SUB-ASSEMBLY ON THE M6 SCREWS (SELF TAPPING THREAD), TIGHTEN THEM DOWN AS SHOWN



**4449 INSTALLATION**

REPEAT 8843 INSTALLATION STEP TO HANG ONE SIDE OF 4449 SUB-ASSEMBLY ON THE BRACKET MTM1207-9305-00, THE OTHER SIDE OF 4449 SUB-ASSEMBLY ON THE M6 SCREWS (SELF TAPPING THREAD), TIGHTEN THEM DOWN AS SHOWN



**RIGHT VIEW**  
M6 SCREWS LOCATION SHOWN  
(DOORS NOT SHOWN)

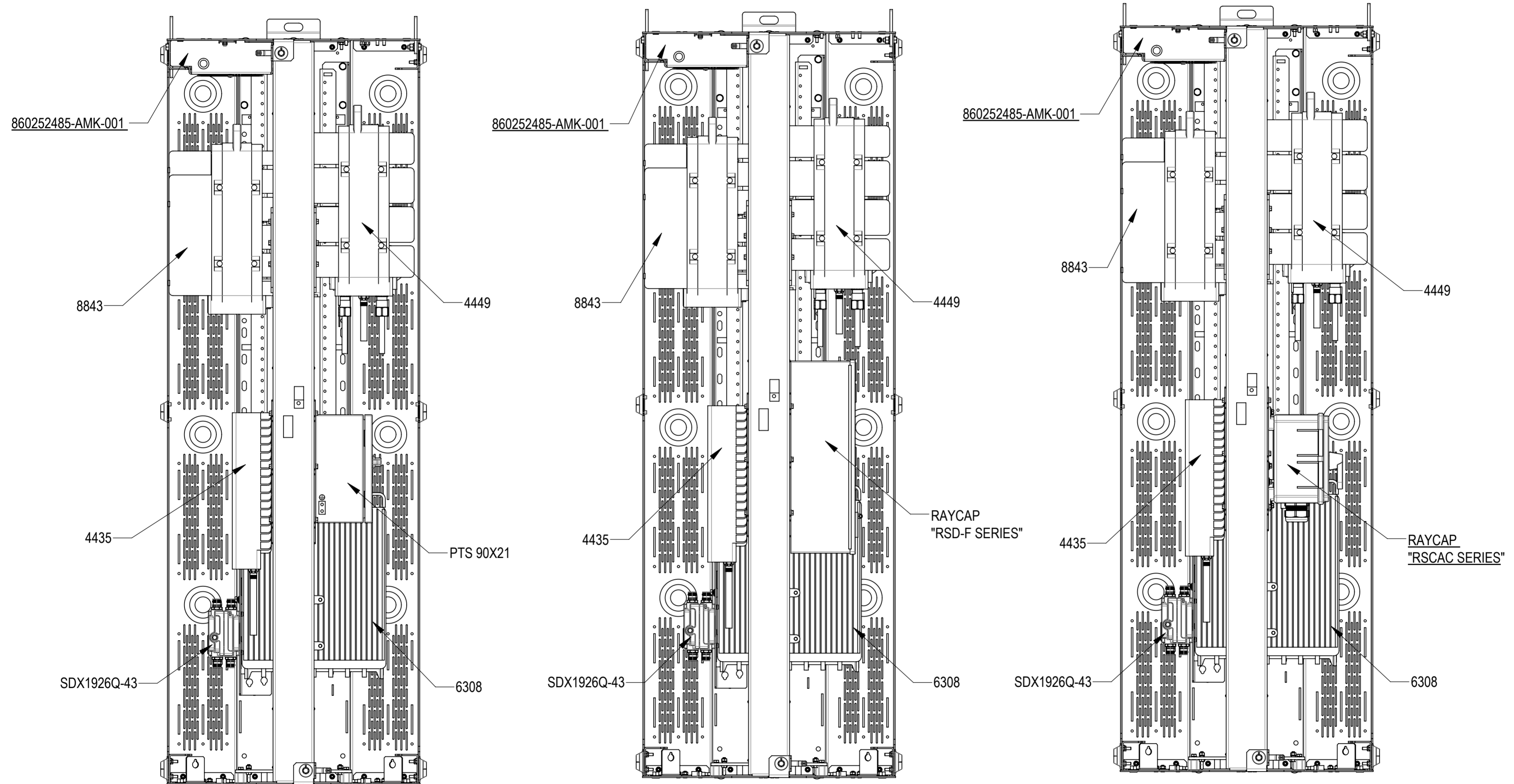
# Installation Instructions



E13- 8843, 4449, 4435, PSU 6308, SDX1926Q-43, PTS 90X21 AND 860252485-AMK-001

E14- 8843, 4449, 4435, PSU 6308, SDX1926Q-43, RSD-F SERIES AND 860252485-AMK-001

E15- 8843, 4449, 4435, PSU 6308, SDX1926Q-43, RSCAC SERIES AND 860252485-AMK-001



E13 CONFIG  
FRONT VIEW  
(DOORS NOT SHOWN FOR CLARITY)

E14 CONFIG  
FRONT VIEW  
(DOORS NOT SHOWN FOR CLARITY)

E15 CONFIG  
FRONT VIEW  
(DOORS NOT SHOWN FOR CLARITY)